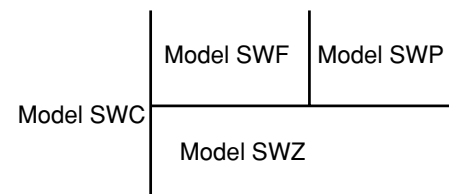
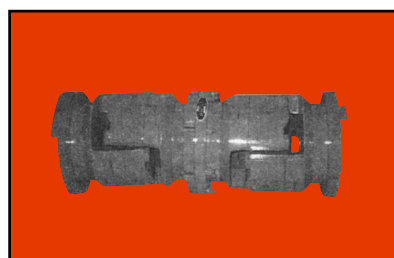
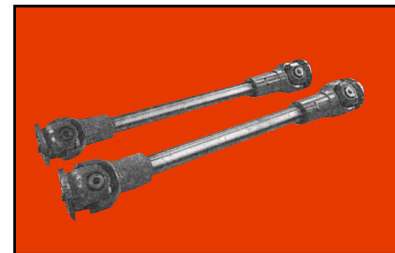
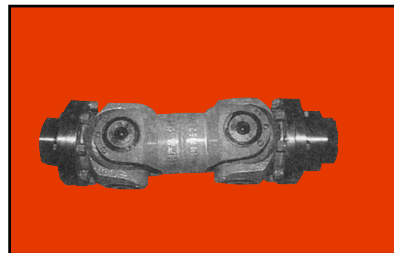
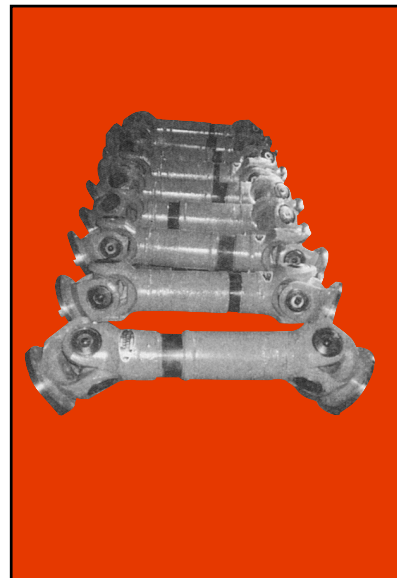
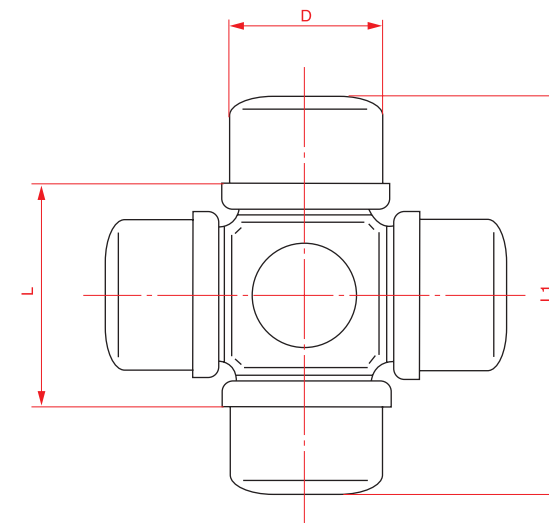


Universal joint cross

Specification	Nominal angular force (Tn) kN • m			
	SWF-96 $\beta=15^\circ$	JB5513-91 SWC $\beta=15^\circ$	JB3241-91 SWP $\beta=10^\circ$	JB/T3242-93 SWZ $\beta=10^\circ$
ø225	50	40	40	45(ø220)
ø250	71	63	63	-
ø285	112	90	90	80(ø260)
ø315	140	125	126	125(ø300)
ø350	200	180	180	200
ø390	280	250	250	280(ø400)
ø440	400	355	355(ø435)	355(ø425)
ø490	560	500	450(ø480)	600(ø500)
ø550	800	710	710	800
ø620	1120	1000	1000(ø600)	1000(ø600)

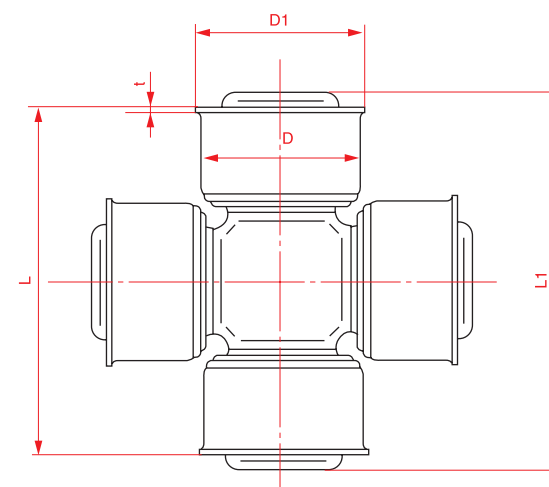


Universal joint cross



Model SWP-B
(To fit standard couplings to JB3241-91)

Model	Gyration dia.	L	D	L1
SWP-B160	160	98	52	156
SWP-B180	180	108	60	174
SWP-B200	200	118	66	194
SWP-B225	225	132	74	218
SWP-B250	250	140	83	244
SWP-B285	285	160	95	276
SWP-B315	315	176	110	306
SWP-B350	350	196	120	339
SWP-B390	390	216	130	380
SWP-B435	435	250	154	424
SWP-B480	480	276	170	470
SWP-B550	550	315	195	535



Model SWC-B
(To fit standard couplings to JB5513-91)

Model	Gyration dia.	L	D	D1	t	L1
SWC-B100	100	86.5	38	40.8	1.75	100
SWC-B120	120	105	45	48.5	2	118
SWC-B150	150	133	55	59.2	2.5	145
SWC-B180	180	158.5	75	79.5	3	177.5
SWC-B225	225	198	90	95.5	3.5	217
SWC-B250	250	224	95	100.5	3.5	248
SWC-B285	285	255	110	117	4	284
SWC-B315	315	283	120	127	4	313
SWC-B350	350	315	135	142	4	348
SWC-B390	390	343	160	169	4.5	387
SWC-B440	440	387	180	189.5	5	438
SWC-B490	490	431	200	209.5	5	487
SWC-B550	550	483	225	235	6	548